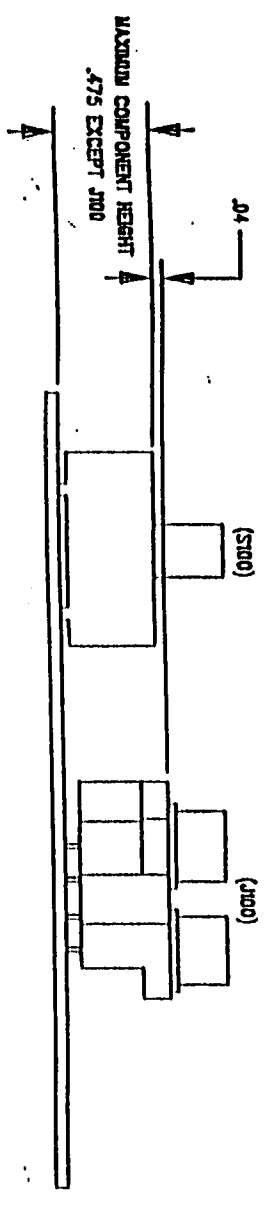
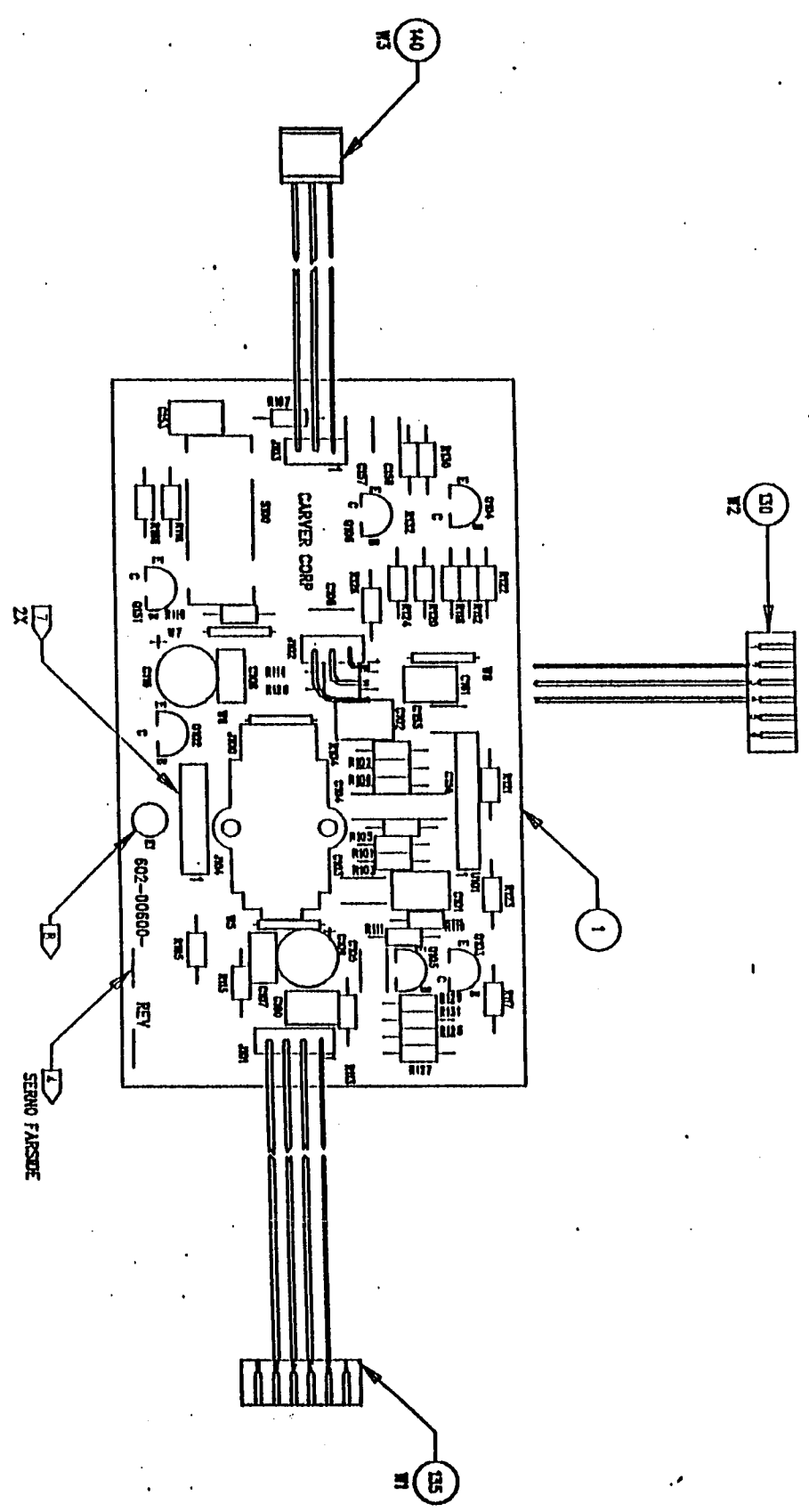


11

**A-400X
Schematic**

PART NO. 602-00600-01		REV. 1	REV. A
DATE	DESCRIPTION	DATE	APPROVED
7-3-74	PRODUCTION RELEASE	7/3/74	[Signature]



- ⓁE COMPONENTS TO BE MASKED PRIOR TO FLOW SOLDER. EL.
 - Ⓛ7 COMPONENTS NOT TO BE INSTALLED: E1 AND J04.
 - Ⓛ SOLDER PLUG NOT REQUIRED.
 - Ⓛ SOLDER PAD INDICATES PIN NO. ONE.
 - Ⓛ MARK APPROPRIATE DASH NO., REV AND SERIAL NO. USING CONTRASTING, NON-CONDUCTIVE INK IN .06 MIN HIGH CHARACTERS.
 - Ⓛ ASSEMBLE PER CARVER WORKMANSHIP STANDARDS W20001.
 - Ⓛ SEE 605-00600-01 FOR SCHEDULED DIAGRAM.
 - Ⓛ SEE SEPARATE PARTS LIST.
- NOTES: UNLESS OTHERWISE SPECIFIED.

CHECKS CONFORMANCE SPECIFIED				APPROVALS		DATE	
REWORKED FOR PER JUNE 74-SP-002				E. BARNETT		1/27/74	
REWORKED FOR PER IN WORKS				E. ALBE		3/7/74	
FRACTURES				E. BARNETT		3/7/74	
TELEMARKETS				E. WILKINS		3/7/74	
SOLDER				E. WILKINS		3/7/74	
WATERSHED				E. WILKINS		3/7/74	
FINISH				E. WILKINS		3/7/74	
TRU-35T				E. WILKINS		3/7/74	
REWORK ON				E. WILKINS		3/7/74	

DO NOT SCALE DRAWING

CARVER

CIRCUIT CARD ASSEMBLY - INPUT

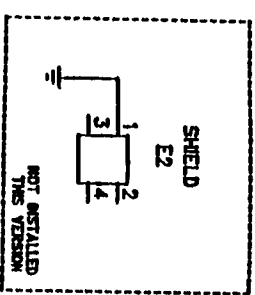
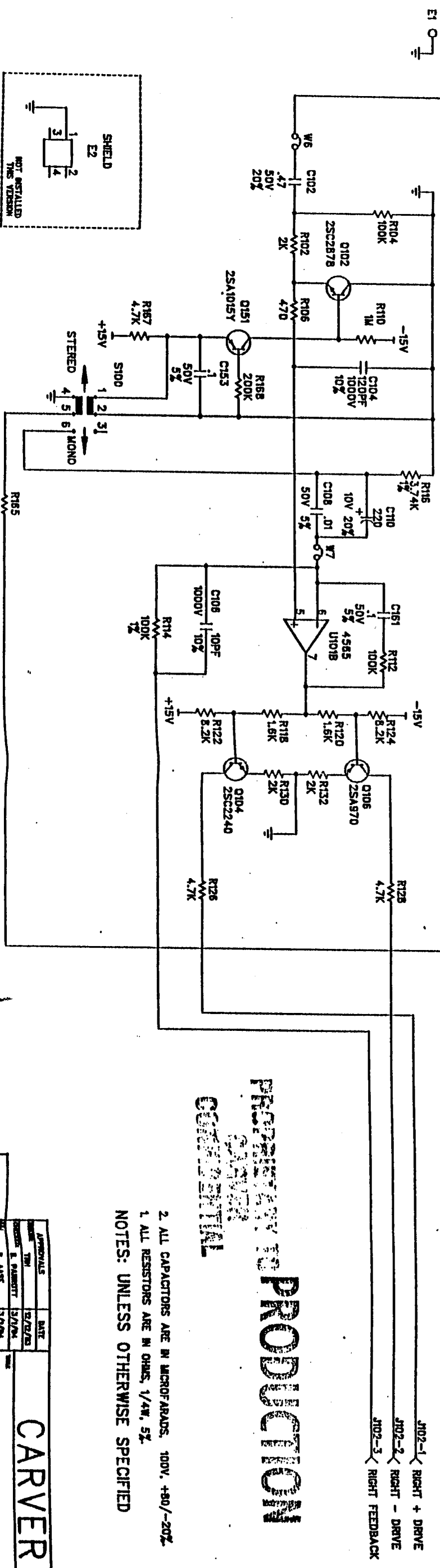
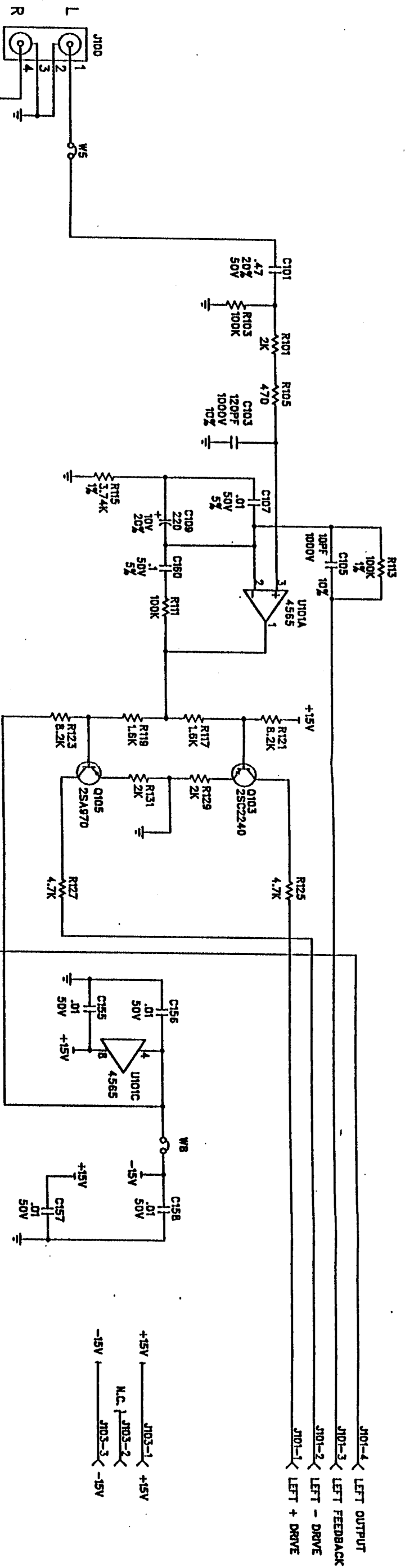
REF NO. 602-00600-01

SCALE: 1/1

REV. 1

REV. NO.		REV. 1		REV. B		REV. 1	
ZONE	REV	DESCRIPTION	DATE	APPROVED	DATE	APPROVED	DATE
A		PRODUCTION RELEASE	03/23/64	MJV			
B		INC ECD 3539	5/5				

8 7 6 5 4 3



PRODUCTION
CONFIDENTIAL

2. ALL CAPACITORS ARE IN MICROFARADS. 100V, +50/-20%.
 1. ALL RESISTORS ARE IN OHMS, 1/4W, 5%.
- NOTES: UNLESS OTHERWISE SPECIFIED

CARVER

INPUT -
 SCHEMATIC DIAGRAM

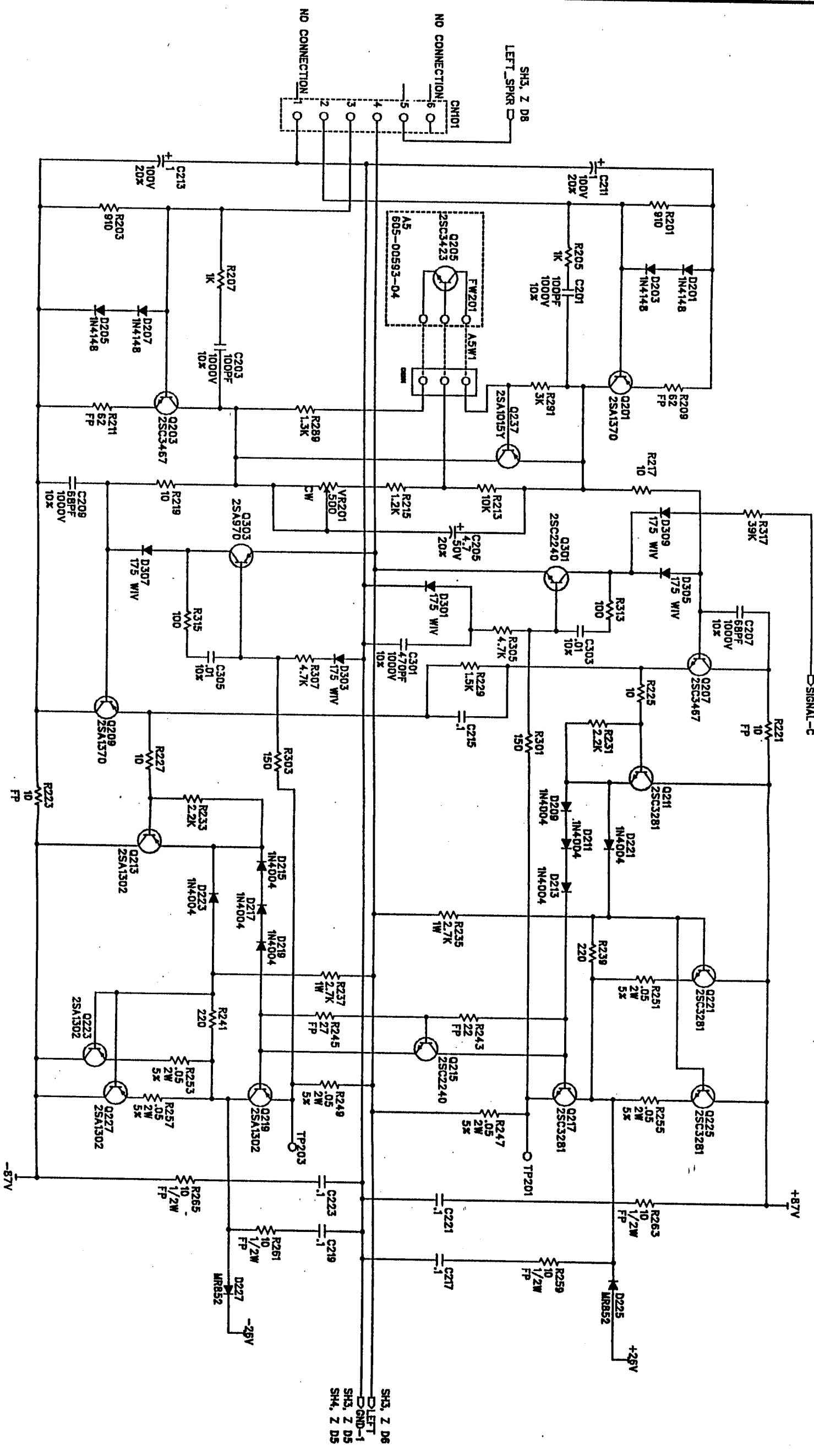
DATE	APPROVED	DATE	APPROVED
12/23/63	E. PARBOTT	5/27/64	E. ALICE
5/27/64	E. PARBOTT	5/27/64	E. PARBOTT
5/27/64	E. WALTERS	5/27/64	E. WALTERS
5/27/64	S. WELTZ	5/27/64	S. WELTZ

TFM-35z
 RECD ON

605-00600-01 B

REV. NO.		DATE	APPROVED
605-00593-06	2		B
REVISIONS		DESCRIPTION	
NO. 1			
NO. 2			

PRODUCTION



LEFT AMP

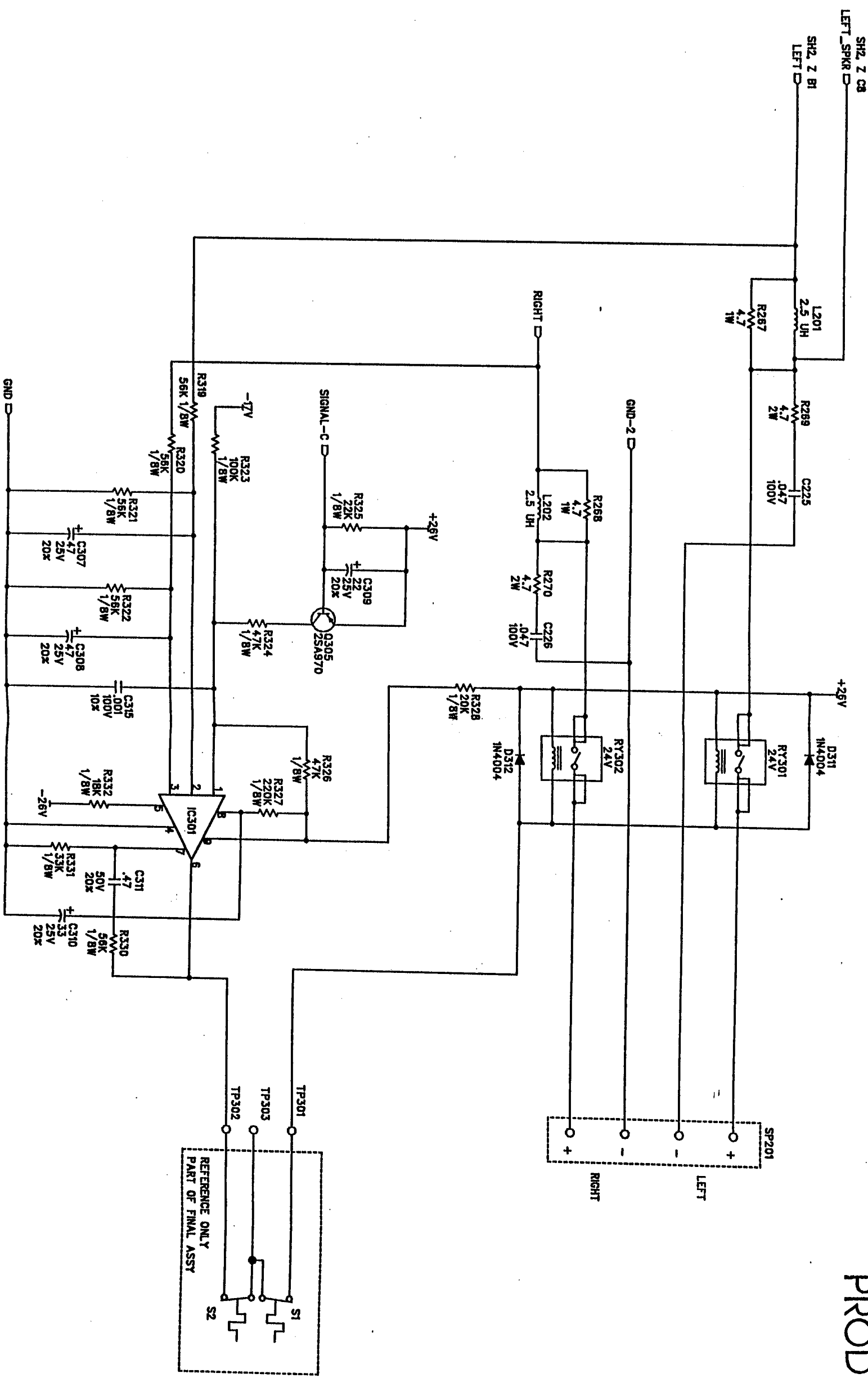
605-00593-06

REV. NO.		DATE	APPROVED
605-00593-06	2		B
REVISIONS		DESCRIPTION	
NO. 1			
NO. 2			

CARVER-

FORM NO.	605-00593-06	REV	3	REV	B
REVISIONS					
ZONE	REV	DESCRIPTION	DATE	APPROVED	
		SEE SHEET 1			

PRODUCTION



605-00593-06

IC301

IC PIN NO.	1	2	3	4	5	6	7	8	9
VOLTAGE	-6	0	0	0	-7	-6	0	1.3	3

CARVER

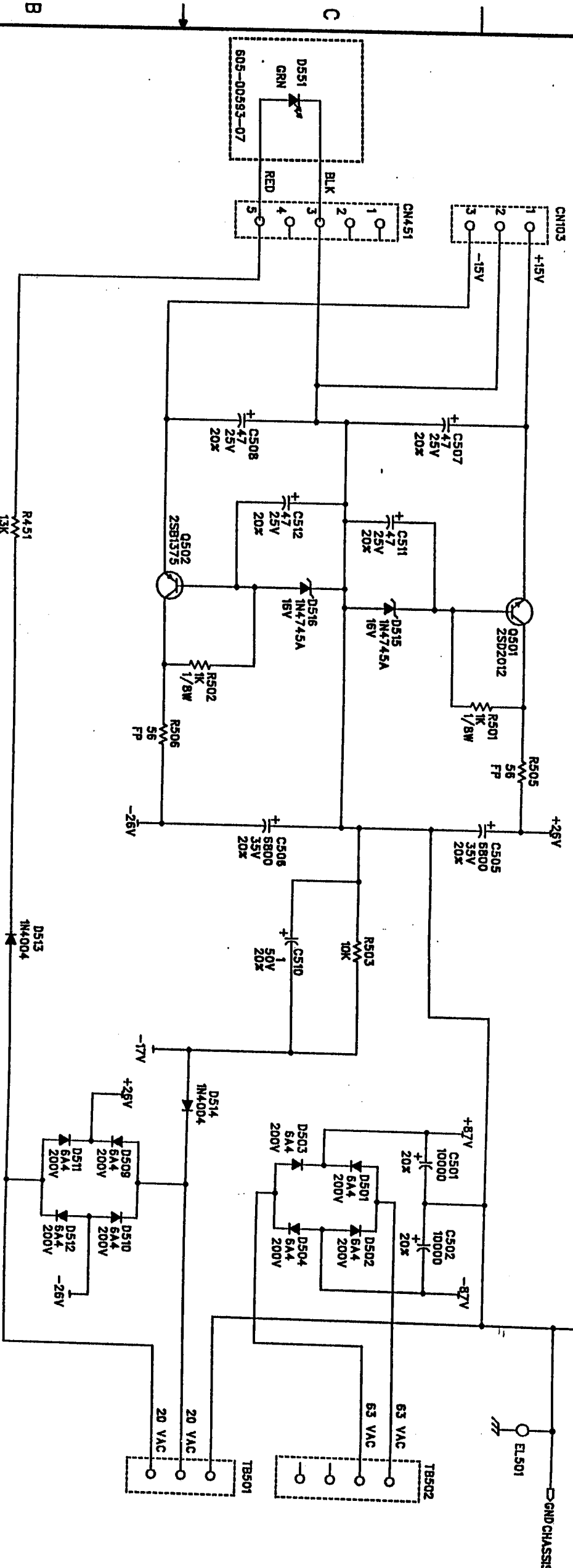
FORM NO. 605-00593-06

REV B

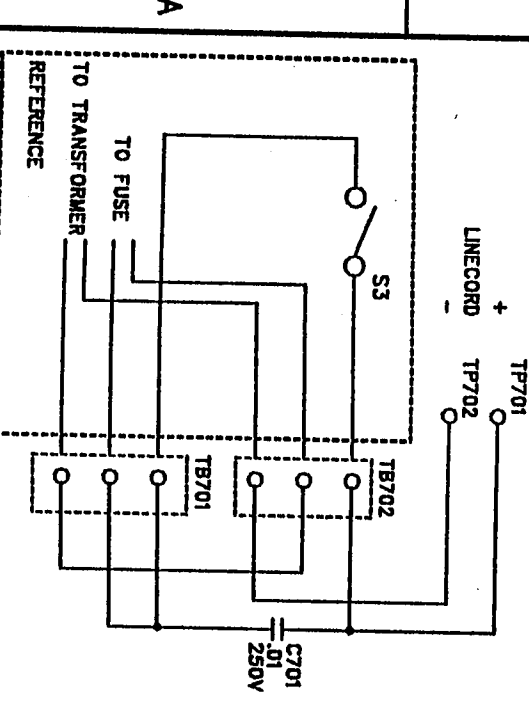
REV. NO.	605-00593-06	REV. 4	B
ZONE	REV.	DESCRIPTION	DATE
		SEE SHEET 1	
		REVISIONS	APPROVED

PRODUCTION

- SH3, Z A5
- GND -3
- SH1, Z B1
- SH3, Z C5
- GND -2
- SH2, Z B1
- SH3, Z D5
- GND -1



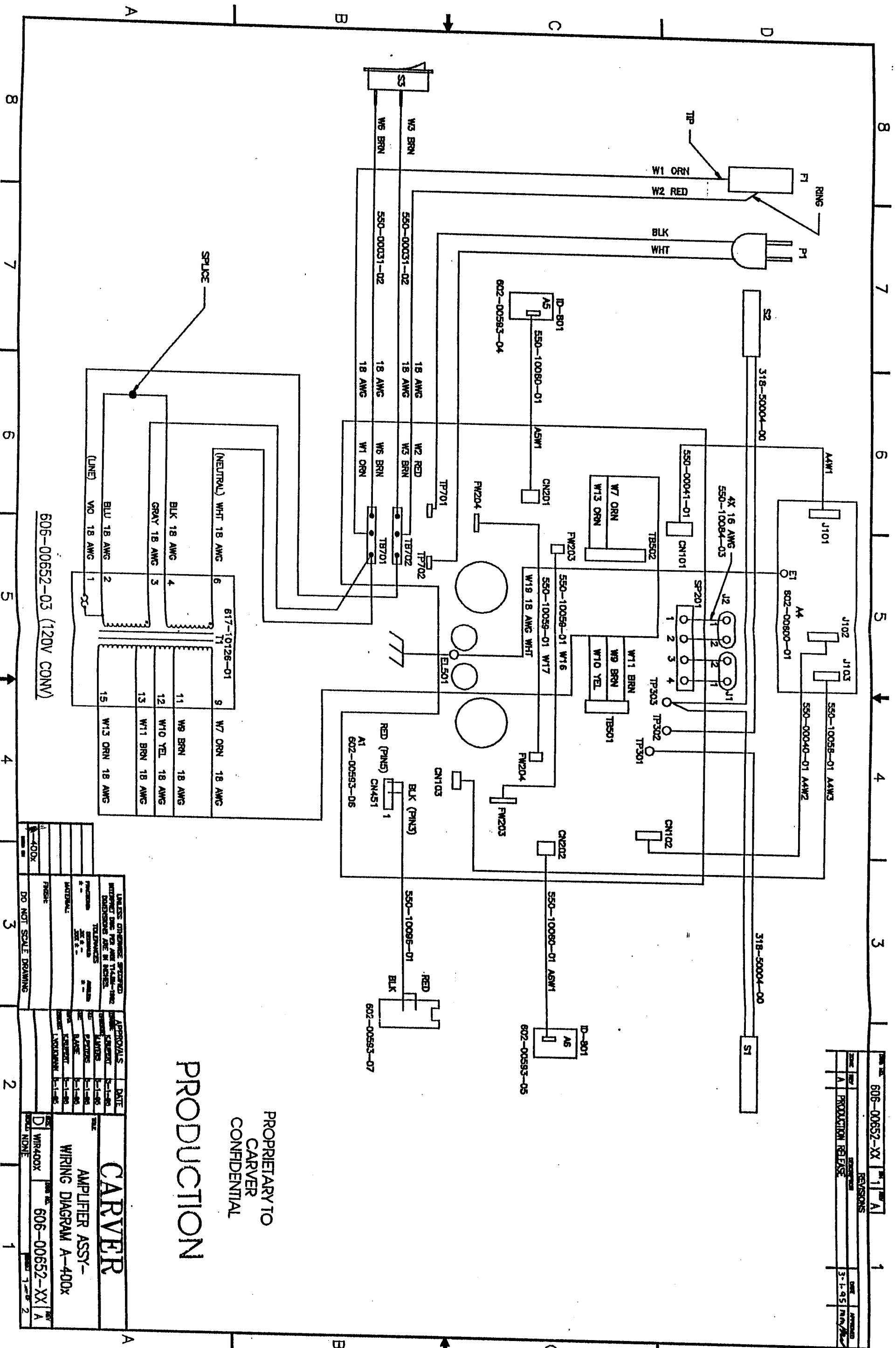
605-00593-06



CARVER

605-00593-06 B

REV	NO	DATE	APPROVED
1	A	3-1-95	RM/A
REVISIONS		DATE	APPROVED
1	A	3-1-95	RM/A
REASONS		DATE	APPROVED
1	A	3-1-95	RM/A
REASONS		DATE	APPROVED
1	A	3-1-95	RM/A
REASONS		DATE	APPROVED
1	A	3-1-95	RM/A



PROPRIETARY TO
CARVER
CONFIDENTIAL

PRODUCTION

CARVER

AMPLIFIER ASSY-
WIRING DIAGRAM A-400X

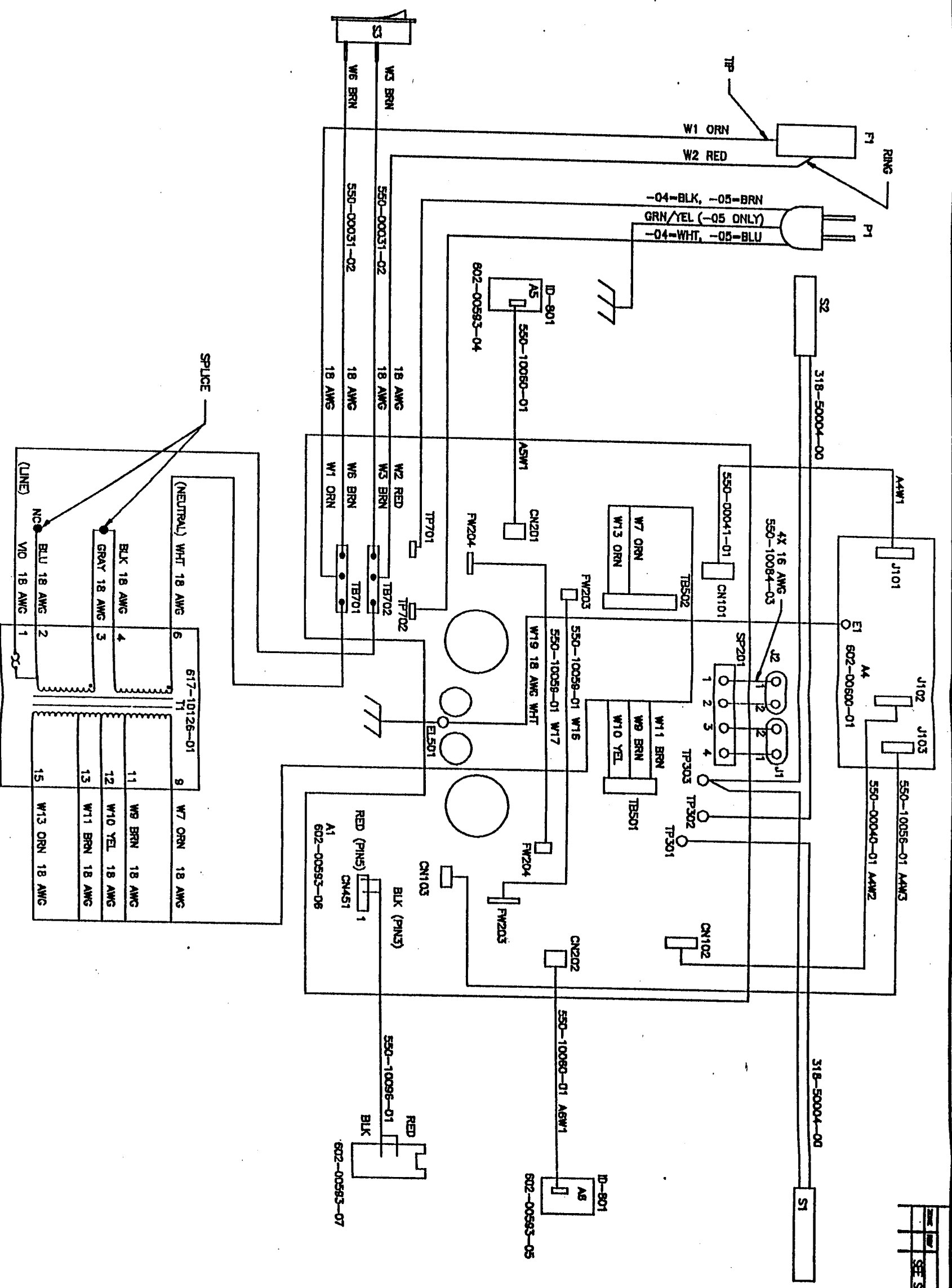
UNLESS OTHERWISE SPECIFIED DIMENSIONS ARE IN INCHES TOLERANCES ARE IN INCHES	APPROVALS	DATE
DESIGNED BY: []	DESIGNED BY: []	3-1-95
CHECKED BY: []	CHECKED BY: []	3-1-95
APPROVED BY: []	APPROVED BY: []	3-1-95
DRAWN BY: []	DRAWN BY: []	3-1-95
DATE: []	DATE: []	3-1-95
SCALE: []	SCALE: []	3-1-95
PROJECT: []	PROJECT: []	3-1-95
DO NOT SCALE DRAWING		
REV	NO	DATE
1	A	3-1-95
2	A	3-1-95

REV	DATE	BY	APP
1			
2			

606-00652-XX (M2) A

REV 2

1



PROPRIETARY TO
CARVER
CONFIDENTIAL

PRODUCTION

CARVER

D WIR400X 606-00652-XX A

REV 2

8 7 6 5 4 3 2 1

A-400X

101-30001-00	FOOT, RUBBER ROUND .63W X .31H A	2
105-30007-01	FOOT, 1.96 DIA X .64 HIGH A	1
105-40014-00	FUSEHOLDER PANEL MNT 120-230V A	5
105-50000-00	FUSE CARRIER 120V A	10
106-30011-01	GROMMET, #8 ROUND HOLE A	15
109-10022-02	PHONO JACK 2P SLDR DIP PIN GLD B	5
111-20051-00	SOLDER LUG #6 A	5
115-30016-01	POST, BDG, DUAL SHORT RED/BLK C	13
115-60002-01	TAB, PCB, .250 A	5
118-90007-00	STRN RE MCT.063 SJT 16/3&18/3 A	20
119-20035-01	TEST POINT A	10
151-20002-00	SCRW, MACH PP 4-40X3/8 BLK WAX A	36
151-30002-00	SCREW SHT MTL PP BLK 4X3/8 "A" A	80
151-30005-01	SCREW SHT MTL PP BLK 4X3/16 B A	85
151-30102-00	SCREW SHT MTL PP BLK 8X3/8 "A" A	42
151-30102-00	SCREW SHT MTL PP BLK 8X3/8 "A" A	45
151-30106-00	SCREW SHT MTL PP BLK 8X3/4 "A" A	46
151-30107-01	SCRW, SM PP SERR BLK 6X1/4 "B" A	40
151-30168-03	SCRW PNH #4 SLFTPG W/WSHR 1/2" B	75
152-20003-01	U-TYPE CLIP #8 SHT MTL A	95
154-30002-00	WASHER, SPLIT LOCK BLK. #8 A	105
159-50002-00	TYRAP 4"L WHT A	115
159-70003-02	CLAMP, CABLE KURLY-LOK .5 A	116
160-20009-00	CONNECTOR 3 PIN B-TONE CN401 A	25
160-20014-00	CONNECTOR, SPLICE NYLON INSUL A	118
160-20500-07	FAST NYL 16-14AWG BLU .250 C	119
160-30045-06	CONN, HDR, 6 PIN .100 SHROUDED B	40
201-00002-00	CAP CER DISC 10 PF 1000V 10% C	10
201-00009-00	CAP CER DISC 68 PF 1000V 10% B	45
201-00012-00	CAP CER DISC 100 PF 1000V 10% B	50
201-00013-00	CAP CER DISC 120 PF 1000V 10% B	15
201-00023-00	CAP CER DISC 470 PF 1000V 10% B	55
201-00035-00	CAP, CER .01UF 250VAC UL/CSA B	60
201-00127-02	CAP CR DSK .01UF 50V +80-20 .2 B	20
204-00003-00	CAP PLYFLM .001 UF 100V 10% RD A	70
204-00015-00	CAP PLYFLM .01 UF 100V 10% RAD A	75
204-00042-00	CAP PLYFLM .1 UF 100V 5% RAD A	80
204-00065-00	CAP PLYFLM .047 UF 100V 5% RAD A	85
204-00101-00	CAP PLYFLM .47 UF 50V 20% RAD A	25
204-00134-00	CAP MTL FLM .01 UF 50V 5% A	30
204-00146-00	CAP MTL FLM .1 UF 50V 5% B	35
205-00001-02	CAP LYTIC 1 UF 50V 20% RAD .2 B	90
205-00006-02	CAP LYTIC 4.7UF 50V 20% RAD .2 B	95
205-00011-02	CAP LYTIC 22 UF 25V 20% RAD .2 D	100
205-00013-02	CAP LYTIC 47 UF 25V 20% RAD .2 B	105
205-00054-02	CAP LYTIC 1 UF 100V 20% RAD .2 B	115
205-00065-02	CAP LYTIC .47UF 50V RAD .2LS A	120
205-00159-00	CAP LYTIC 33 UF 25V 20% RAD A	125
205-00161-00	CAP LYTIC 10,000 UF 100V SNAP B	130
205-00177-00	CAP, LYTIC 6800 UF, 35V A	135
205-00179-02	CAP LYTIC 220 UF 10V MINI 20% A	40

A-400X

259-30012-01	POT, 500 OHM 6MM ROUND	A	150
260-50100-04A	RES, CF 5% 10 OHM 1/4W	A	155
260-50101-04A	RES, CF 5% 100 OHM 1/4W	A	160
260-50102-03A	RES, CF 5% 1K 1/8W	B	165
260-50102-04A	RES, CF 5% 1K 1/4W	A	170
260-50103-04A	RES, CF 5% 10K 1/4W	A	180
260-50104-03A	RES, CF 5% 100K 1/8W	B	185
260-50104-04A	RES, CF 5% 100K 1/4W	A	0
260-50104-04D	RES, CF 5% 100K 1/4W .5	A	45
260-50105-04A	RES, CF 5% 1M 1/4W	A	0
260-50105-04D	RES, CF 5% 1M 1/4W .5	A	50
260-50122-04A	RES, CF 5% 1.2K 1/4W	A	0
260-50122-04D	RES, CF 5% 1.2K 1/4W .5	A	190
260-50132-04A	RES, CF 5% 1.3K 1/4W	A	195
260-50133-04A	RES, CF 5% 13K 1/4W	A	197
260-50151-04A	RES, CF 5% 150 OHM 1/4W	A	200
260-50152-04A	RES, CF 5% 1.5K 1/4W	A	205
260-50162-04A	RES, CF 5% 1.6K 1/4W		0
260-50162-04D	RES, CF 5% 1.6K 1/4W .5	A	55
260-50183-03A	RES, CF 5% 18K 1/8W	B	210
260-50202-04A	RES, CF 5% 2K 1/4W		0
260-50202-04D	RES, CF 5% 2K 1/4W .5	A	60
260-50203-03A	RES, CF 5% 20K 1/8W	B	215
260-50204-04A	RES, CF 5% 200K 1/4W	A	0
260-50204-04D	RES, CF 5% 200K 1/4W .5	A	65
260-50221-04A	RES, CF 5% 220 OHM 1/4W	A	220
260-50222-04A	RES, CF 5% 2.2K 1/4W	A	225
260-50223-03A	RES, CF 5% 22K 1/8W	B	230
260-50224-03A	RES, CF 5% 220K 1/8W	B	235
260-50302-04A	RES, CF 5% 3K 1/4W	A	240
260-50333-03A	RES, CF 5% 33K 1/8W	B	245
260-50393-04A	RES, CF 5% 39K 1/4W	A	250
260-50471-04A	RES, CF 5% 470 OHM 1/4W	A	0
260-50471-04D	RES, CF 5% 470 OHM 1/4W .5	A	70
260-50472-04A	RES, CF 5% 4.7K 1/4W	A	255
260-50472-04A	RES, CF 5% 4.7K 1/4W	A	0
260-50472-04D	RES, CF 5% 4.7K 1/4W .5	A	75
260-50473-03A	RES, CF 5% 47K 1/8W	B	260
260-50563-03A	RES, CF 5% 56K 1/8W	B	270
260-50822-04A	RES, CF 5% 8.2K 1/4W		0
260-50822-04D	RES, CF 5% 8.2K 1/4W .5	A	80
260-50911-04A	RES, CF 5% 910 OHM 1/4W	A	275
262-31003-04A	RES, MF 1% 100K 1/4W		0
262-31003-04D	RES, MF 1% 100K 1/4W .5	A	85
262-33741-04A	RES, MF 1% 3.74K 1/4W		0
262-33741-04D	RES, MF 1% 3.74K 1/4W .5	A	90
263-50272-07A	RES MO FP 5% 2.7K 1W AX LG	B	280
263-50477-07A	RES MO FP 5% 4.7 1W AX LG	B	290
263-50477-08A	RES MO FUSIBLE 4.7OHM 2W AX	C	295
264-50509-08A	RES, WW 5% .05 OHM 2W UNPREP	A	145
266-50100-04A	RES FUSIBLE 5% 10 OHM 1/4W	C	300

A-400X

266-50100-05A	RES FUSIBLE 5% 10 OHM 1/2W	C	305
266-50220-04A	RES FUSIBLE 5% 22 OHM 1/4W	C	310
266-50270-04A	RES FUSIBLE 5% 27 OHM 1/4W	C	315
266-50560-04A	RES, FUS 5% 56 OHM 1/4W		0
266-50560-04D	RES FUSIBLE 5% 56 OHM 1/4W	.5 C	320
266-50620-04A	RES FUSIBLE 5% 62 OHM 1/4W	C	325
315-13006-00	FUSE, MDA 10	A	120
318-20004-00	SWITCH ROCKER SPST QICDIS. 15A	A	121
318-40011-01	SWITCH, SLIDE 2-POS 2-POLE		95
318-50004-00	SWITCH, THERMAL U1210005310A	C	130
320-20001-00	DIODE, 1N4148 75V UNPRP	D	330
320-20004-00	DIODE, 1N4004 400V UNPRP	C	335
320-20006-00	DIODE, 1N3070 175V UNPRP	C	340
320-20007-00	DIODE, MR852 200V	.85 A	345
320-20010-03	DIODE 6AMP 400V UNPREP	D	350
320-30014-00	DIODE, ZENER 1N4745A 16V	.4 A	355
320-40004-00	LED, GREEN, HIGH EFFICIENCY	B	5
321-30013-00	XSTR TO3P(L) NPN PWR 2SC3281-0	B	135
321-30014-00	XSTR TO3P(L) PNP PWR 2SA1302-0	B	140
321-40014-01	XISTOR TO92 PNP SM SG 2SA1015Y	A	360
321-40014-01	XISTOR TO92 PNP SM SG 2SA1015Y	A	100
321-40015-01	XISTOR TO92 PNP SM SG 2SA970	A	365
321-40015-01	XISTOR TO92 PNP SM SG 2SA970	A	105
321-40016-01	XISTOR TO92 NPN SM SG 2SC2240	A	370
321-40016-01	XISTOR TO92 NPN SM SG 2SC2240	A	110
321-40027-01	XISTOR TO92 NPN SM SG 2SC3792	A	115
321-60008-00	XISTOR 2006A PNP PWR 2SA1370	A	375
321-60009-00	XISTOR 2006A NPN PWR 2SC3467	A	380
321-60015-01	XISTOR TO220 NPN 2SD2012	A	385
321-60016-01	XISTOR TO220 PNP 2SB1375	A	390
321-90001-00	XISTOR B100 NPN PWR 2SC3423-Y	A	5
321-90001-00	XISTOR B100 NPN PWR 2SC3423-Y	A	5
330-30020-01	IC, SPEAKER PROTECT TA7317P	A	410
330-30021-01	IC, DUAL OP AMP SIP NJM4565	B	120
401-10204-00	WIRE 18 AWG TEW ORANGE 9"	A	150
401-10222-00	WIRE 18 AWG TEW RED 9"	A	146
401-10598-00	WIRE 22 AWG TR-64 BLUE 7"	-	413
401-20003-00	BUSS WIRE 22 GAGE SPOOL	B	415
401-20003-00	BUSS WIRE 22 GAGE SPOOL	B	125
401-30001-00	JUMPER .2X.25 22AWG INSUL WHT	A	418
401-90023-01	LC, RND 16/2 PLZD-CSA/UL APRD	B	160
402-10007-00	TUBING HTSHRK DUAL WALL 1/2"	A	165
403-00002-00	COLORLED ENAMEL W&W #452	-	167
403-10003-00	SEALANT SILICONE RUBBER RTV	A	422
403-10006-00	GLUE, HOT MELT		420
403-10020-00	LOCTITE #222	A	170
403-40030-01	TAPE, D BCK 1/2" SCOTCH 976 2ML	B	175
501-00514-01	PCB, 200-400W HIFI AMP	A	1
501-00600-01	PCB, INPUT	C	1
502-20105-01	CHASSIS, TFM-35X	G	185
503-20131-01	PANEL, FRONT A-400X	A	190

A-400X

503-20132-01	PANEL, REAR, A-400X	A	191
504-20113-01	COVER - TFM-35X	A	195
507-00050-00	BRACKET THERMAL SW UNIVERSAL	C	200
511-20043-01	HEATSINK - TFM-35X	C	230
512-10654-01	INSULATOR, 10 POSITION	A	235
530-20029-00	LABEL, CITY OF LA APPROVED		242
530-20100-00	STICKER, SERIAL # BLANKS	A	245
531-00012-01	LUG, SOLDER, #6	A	430
550-00031-02	CBL, .250 FAST #18 TEW 7" BRN	A	432
550-00040-01	CBL ASSY, #22 6PIN TO 3PIN 6"	A	130
550-00041-01	CBL ASSY, #22 6PIN TO 4PIN 6"	A	135
550-00042-01	CBL ASSY, #18 RING LUG NO.4 7"	A	137
550-10056-01	HARN CON 3 PIN #22 TR64 9"	A	140
550-10059-01	HARN CON .10 SPAC 3 POS 11"	A	435
550-10060-01	HRN CN 3PIN .098 SP #22TR64 3"	A	10
550-10060-01	HRN CN 3PIN .098 SP #22TR64 3"	A	10
550-10084-03	HARN #16 TR64 RNG TRM BLK 3.25 E		421
550-10096-01	HARN, LED CONN, 2 PIN	B	437
602-00593-04	CCA, XSTR LEFT	A	263
602-00593-05	CCA, XSTR RIGHT	A	264
602-00593-06	CCA, MAIN - A-400X	J	260
602-00593-07	CCA, LED MOUNTING	B	265
602-00600-01	CCA, INPUT - TFM-35X	D	261
616-00093-01	CHOKE, 2.5 UH	C	440
617-10126-01	TRANSFORMER, PWR AMP 400W	B	285
617-20000-01	RELAY, SPST 24V PC MNT	C	445